



DATA SHEET

Ultra-micro Current Transformer

PN: CMCT118A

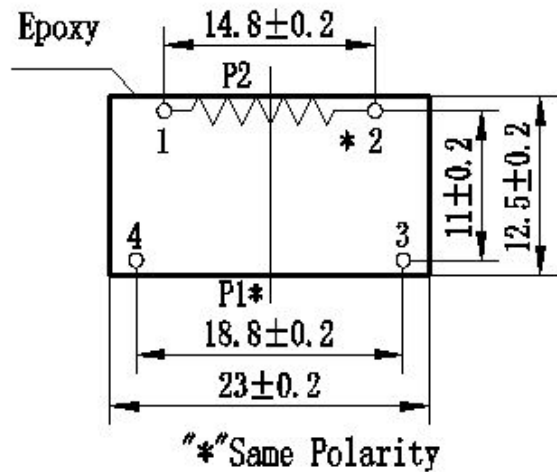
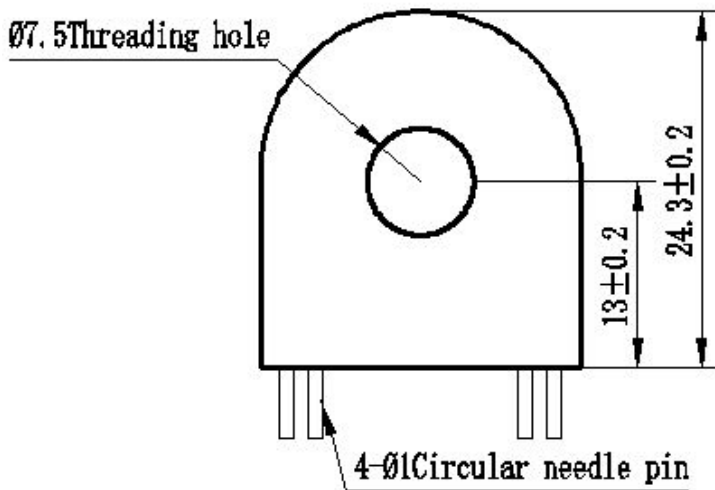
IPN=5A

Feature & Applications

- Small size
- High accuracy
- Good consistency.
- Used for current and power measurement



Structural Parameter :



Remarks: 1 & 2 pin: secondary output.
3 & 4 pin: empty pin.

Front view

Bottom view

The Main Technical Parameters :

Model	CMCT118A
Rated input current	5A
Rated output current	2.5mA
Turns ratio	2000:1
Phase angle error	≤15' (Input 5A, sampling resistor 50Ω)
Linear range	0~40A (sampling resistor 50Ω)
Linearity	≤0.1%(5%dot~120%dot)



Permissible error	-0.2%≤ f ≤+0.2% (Input 5A, sampling resistor 50Ω)
Isolation voltage	4500V
Application	Current and power measurement
Encapsulation	Epoxy
Installation	PCB mounting (Pin length>3mm)
Operating temperature	-40°C~+85°C

Direction For Use:

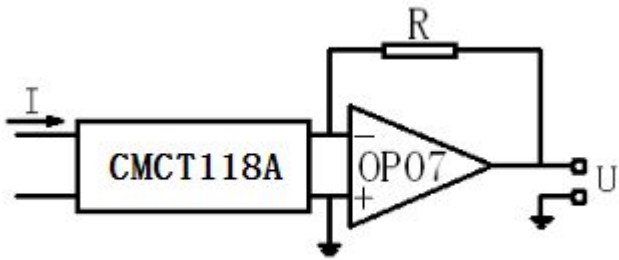
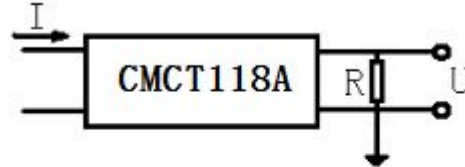


Figure I



$$U = \frac{I}{2000} \cdot R$$

I: input current
R: sampling resistor
U: sampling voltage

Figure II

1. CMCT118A used for measurement. Typical usage is shown in Figure 1 and Figure 2. R is a sampling resistor.
2. Empty pin can not be grounded.

